

Ball Valve Type 21 (Electric actuated Type T) 15mm - 50mm (1/2 inch - 2inch)

Body Material
 PVC
 C-PVC
 PP
 PVDF

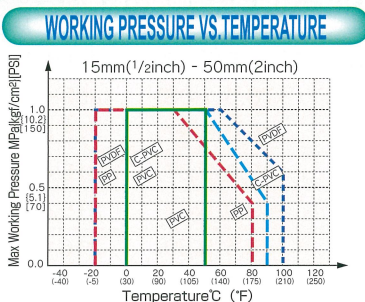
O-ring Material
 EPDM
 FKM

Connection Standard
 Socket End JIS
 Socket End ASTM SCH80
 Socket End DIN
 Threaded End Rc
 Threaded End NPT
 Threaded End Rp
 Flanged End JIS10K
 Flanged End ANSI CLASS150
 Flanged End DIN PN10

Power Source
 Single-Phase
 AC100V
 AC200V

Equipment
 Manual Operation Mechanism
 Output Contact Limit Switches
 Indicator

Option
 ·Space heater



FEATURES

- Motor is built into the body. Light-weight and Compact with high torque.
- Stopper enables adjustment of an angle of ±5 degree at fully-Opened or Fully-Closed position.
- Opening Indicator is easy to read.

OPTIONAL EQUIPMENT

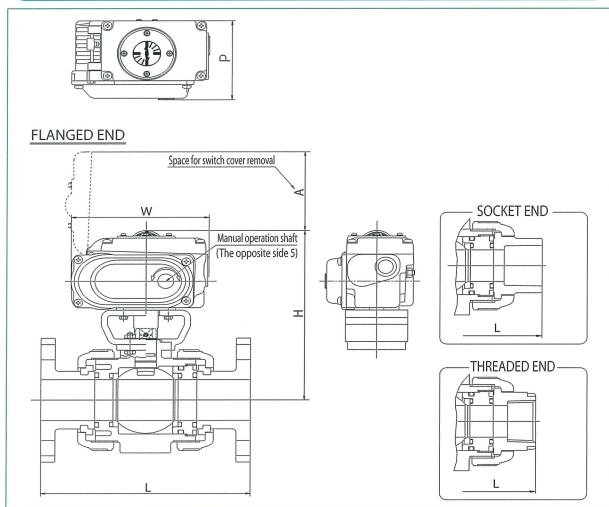
Combination No.	1	2	3
Space Heater	○	—	○
Manual Operation Mechanism	—	○	○

ACTUATOR SPECIFICATION

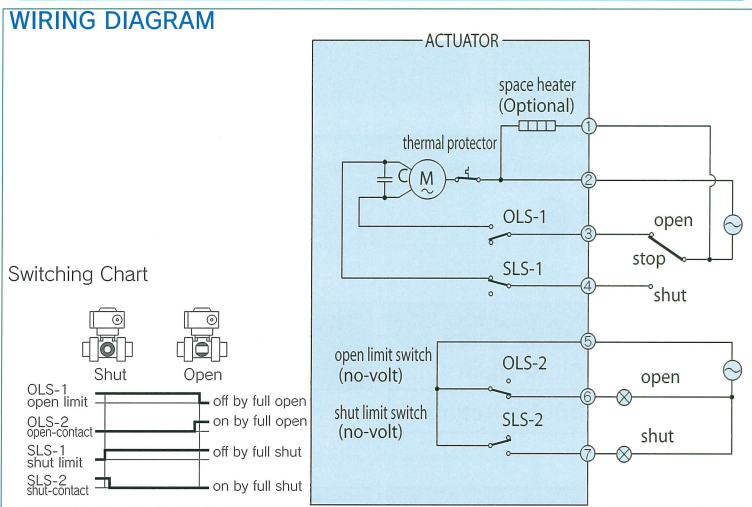
Nominal Size mm(inch)	15 - 50 (1/2inch - 2inch)	
Actuator Type	AOC-00	
Cycle Time 50/60Hz(seconds)	10/8	
Motor Output(W)	8	
Motor Starting Current(A) 50/60Hz	100V	0.80/0.80
	110V	1.0/1.0
	200V	0.5/0.5
Motor Rated Current(A) 50/60Hz	100V	0.7/0.7
	110V	0.4/0.4
	200V	0.5/0.5
Number of Revolutions of Manual Operating Handle	100V	0.3/0.3
	110V	7.5
	200V	0.25/0.25
Limit Switch Capacity	AC 250V 5A (Min.0.1A)	
Protective Structure	JIS C 0920 Waterjet-proof type	
Cable Connector Nominal Size	G1/2	
Motor Pole(P)	4	
Motor Insulation	E Class	
Motor Time Rating(minute)	30	

* for the actuator with lubricant free valves consult near Asahi dealer.

DIMENSIONS FIGURE



SCHEMATIC DIAGRAM



DIMENSIONS TABLE

JIS, ANSI, DIN			Unit:mm(inch)					
Nominal Size			15(1/2)	20(3/4)	25(1)	32(1 1/4)	40(1 1/2)	50(2)
Flanged End	Common	JIS	143(5.63)	172(6.77)	187(7.36)	190(7.48)	212(8.35)	234(9.21)
		DIN	130(5.12)	150(5.91)	160(6.30)	180(7.09)	200(7.87)	230(9.06)
		ANSI	143(5.63)	172(6.77)	187(7.36)	190(7.48)	212(8.35)	234(9.21)
Threaded End	Common	JIS	102(4.02)	120(4.72)	131(5.16)	150(5.91)	163(6.42)	197(7.76)
		DIN	102(4.02)	120(4.72)	131(5.16)	150(5.91)	163(6.42)	197(7.76)
		ANSI	113(4.45)	129(5.08)	146(5.75)	164(6.46)	184(7.24)	209(8.23)
Socket End	PVC, C-PVC	JIS	108(4.25)	128(5.04)	145(5.71)	162(6.38)	189(7.44)	220(8.66)
		DIN	102(4.02)	120(4.72)	131(5.16)	150(5.91)	163(6.42)	197(7.76)
		ANSI	113(4.45)	129(5.08)	146(5.75)	164(6.46)	184(7.24)	209(8.23)
	PP	JIS	108(4.25)	126(4.96)	141(5.55)	—	171(6.73)	192(7.56)
		DIN	99(3.90)	114(4.49)	123(4.84)	139(5.47)	148(5.83)	176(6.93)
		ANSI	113(4.45)	129(5.08)	146(5.75)	164(6.46)	184(7.24)	209(8.23)
PVDF	DIN	99(3.90)	114(4.49)	123(4.84)	139(5.47)	148(5.83)	176(6.93)	
	ANSI	113(4.45)	129(5.08)	146(5.75)	164(6.46)	184(7.24)	209(8.23)	
	Common	H	169.5(6.67)	176(6.93)	183(7.21)	192(7.56)	200.5(7.89)	212(8.35)
	W	154.5(6.08)	154.5(6.08)	154.5(6.08)	154.5(6.08)	154.5(6.08)	154.5(6.08)	
	P	99(3.90)	99(3.90)	99(3.90)	99(3.90)	99(3.90)	99(3.90)	
	A	100(3.94)	100(3.94)	100(3.94)	100(3.94)	100(3.94)	100(3.94)	