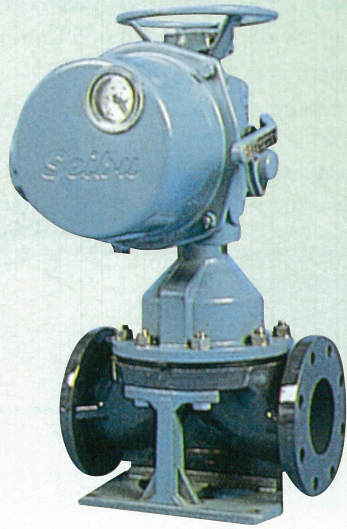


Diaphragm Valve Type 15,72(Electric Actuated Type S)

Type 15:125mm,150mm(5inch,6inch)
Type 72:200mm,250mm(8inch,10inch)

- Body Material**
PVC
PP
PVDF
- Diaphragm Material**
PTFE
EPDM
FKM
- Connection Standard**
JIS 10K · JIS 5K
ANSI CLASS150
DIN PN10
- Power Source**
Three-Phase
AC200V/400V
- Equipment**
Manual Operation Mechanism (Handle is sold separately.)
Torque Switches
Space Heater
Indicator
- Option**
Output Contact Limit Switches
Potentiometer
E-E Positioner
R/I Transmitter



FEATURES

- Standard Torque Switch protects valves from Overload.
- Automatic return does not require Clutch Operation after Manual Operation.

OPTIONAL EQUIPMENT

Combination No.	1	2	3	4
Space Heater	●	●	●	●
Output Contact Limit Switches	○	—	—	—
Potentiometer	—	○	○	○
R-I Transmitter	—	—	○	○
E-E Positioner	—	—	—	○

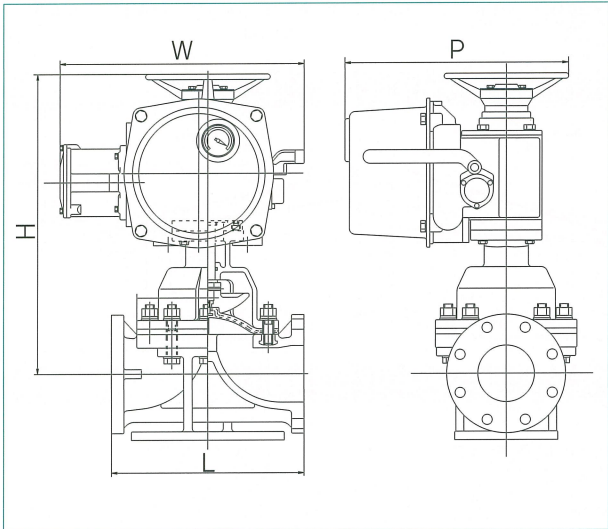
●Standard Equipment
※Actuator Type is to be changed.

ACTUATOR SPECIFICATION

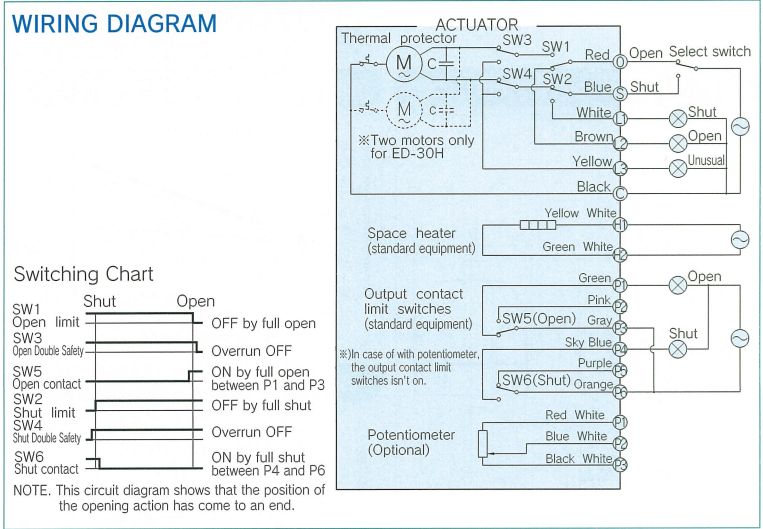
Nominal Size mm(inch)	125 (5inch)	150 (6inch)	200 (8inch)	250 (10inch)
Actuator Type	LTRM-01	LTMD-01		LTMD-02
Cycle Time 50/60Hz(seconds)	29/24	54/46.5	75.5/63	90/75
Motor Output(W)	400	400		750
Motor Starting	200V 8.8/8.3	8.0/7.4		15.6/15.2
Current(A) 50/60Hz	400V 4.4/4.1	4.0/3.7		7.8/7.6
Motor Rated	200V 3.0/2.4	2.5/2.2		4.4/4.0
Current(A) 50/60Hz	400V 1.5/1.2	1.3/1.1		2.2/2.0
Number of revolutions of manual operating handle	10	10	16	18
Limit Switch Capacity	AC 250V 5A			
Protective Structure	IP55			
Cable Connector Nominal Size	2-G1	Operating circuit:2G1 Motor circuit:G3/4		
Motor Pole(P)	4			
Motor Insulation	E Class			
Motor Time Rating(minute)	15			

※In the case of Actuator with Electric Positioner, the model number is followed by "Z".

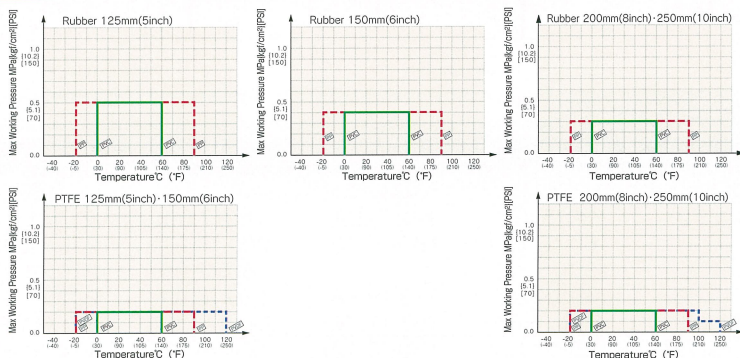
DIMENSIONS FIGURE



SCHEMATIC DIAGRAM



WORKING PRESSURE VS. TEMPERATURE



DIMENSIONS TABLE

JIS, ANSI, DIN		Unit:mm(inch)			
Nominal Size		125 (5)	150 (6)	200 (8)	250 (10)
L	JIS	410 (16.14)	480 (18.90)	570 (22.44)	680 (26.77)
	DIN	400 (15.75)	480 (18.90)	600 (23.62)	730 (28.74)
	ANSI	410 (16.14)	480 (18.90)	570 (22.44)	680 (26.77)
H		590 (23.23)	714 (28.11)	802 (31.57)	969 (38.15)
W		430 (16.93)	635 (25.00)	635 (25.00)	675 (26.57)
P		395 (15.55)	522 (20.55)	522 (20.55)	557 (21.93)