

# Diaphragm Valve Type 15 (Electric Actuated Type H) 125mm, 150mm (5inch, 6inch)

**Body Material**

PVC  
PP  
PVDF

**Diaphragm Material**

PTFE  
EPDM  
FKM

**Connection Standard**

JIS 10K · JIS 5K  
ANSI CLASS150  
DIN PN10

**Power Source**

Single-Phase  
AC100V/110V/200V/220V

**Equipment**

Manual Operation Mechanism  
Space Heater  
Output Contact Limit Switches  
Indicator



**FEATURES**

- In addition to the ordinary On-Off Limit Switch, additional Limit Switch is built in for safety.
- Manual Operating Handle is provided as a Standard Equipment. The Handle cannot be turned during electric operation due to the planetary Gear Mechanism.

**OPTIONAL EQUIPMENT**

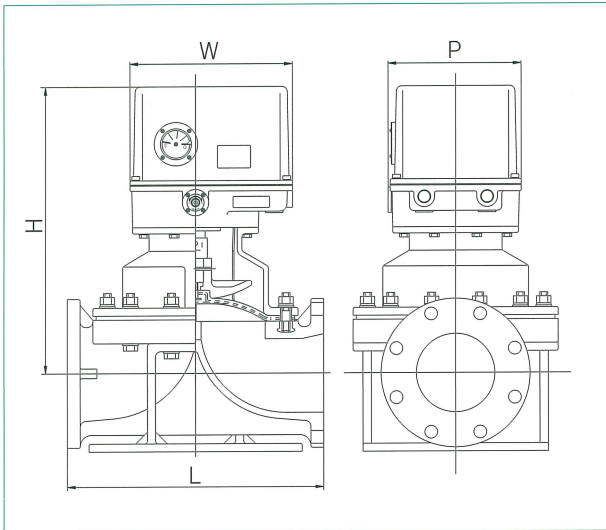
Combination No.	1
Space Heater	●
Output Contact Limit Switches	●

● Standard Equipment

**ACTUATOR SPECIFICATION**

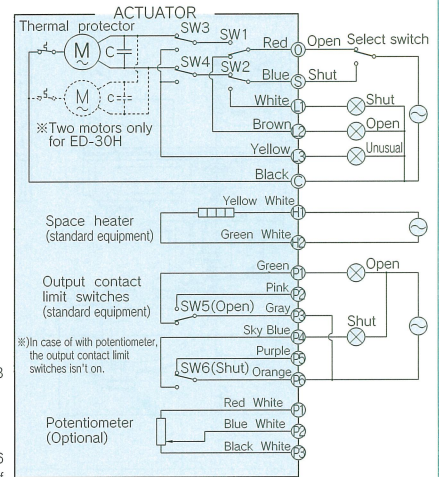
Nominal Size mm(inch)	125(5inch)	150(6inch)
Actuator Type	ED-30H	
Cycle Time 50/60Hz(seconds)	48/40	
Motor Output(W)	140	
Motor Starting Current(A) 50/60Hz	100V	5.00/4.80
	110V	1.40/1.46
	200V	2.50/2.40
	220V	0.70/0.70
Motor Rated Current(A) 50/60Hz	100V	3.00/3.00
	110V	2.63/2.40
	200V	1.50/1.50
220V	1.10/1.10	
Number of revolutions of manual operating handle	128	
Limit Switch Capacity	AC 250V 3A	
Protective Structure	JIS C 0920 drip-proof type	
Cable Connector Nominal Size	4-G 3/4	
Motor Pole(P)	4	
Motor Insulation	E Class	
Motor Time Rating(minute)	30	

**DIMENSIONS FIGURE**



**SCHEMATIC DIAGRAM**

**WIRING DIAGRAM**

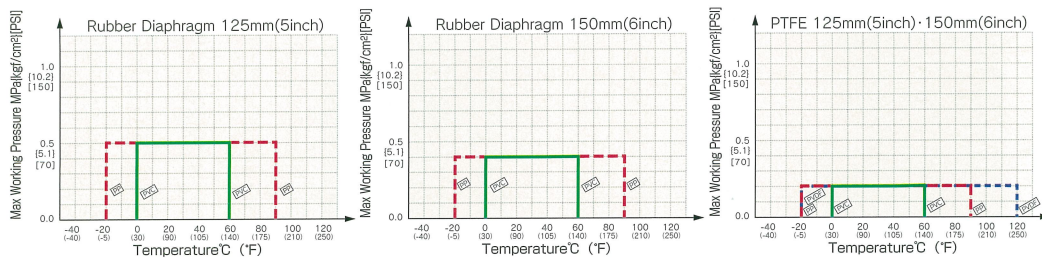


**Switching Chart**

SW	Function	Action
SW1	Shut	Open
SW3	Open limit	OFF by full open
SW5	Open Double Safety	Overrun OFF
SW5	Open contact	ON by full open between P1 and P3
SW2	Shut limit	OFF by full shut
SW4	Shut Double Safety	Overrun OFF
SW6	Shut contact	ON by full shut between P4 and P6

NOTE. This circuit diagram shows that the position of the opening action has come to an end.

**WORKING PRESSURE VS. TEMPERATURE**



**DIMENSIONS TABLE**

JIS, ANSI, DIN		Unit:mm(inch)	
Nominal Size		125 (5)	150 (6)
L	JIS	410 (16.14)	480 (18.90)
	DIN	400 (15.75)	480 (18.90)
	ANSI	410 (16.14)	480 (18.90)
H		510 (20.08)	550 (21.65)
W		310 (12.20)	310 (12.20)
P		254 (10.00)	254 (10.00)