

Diaphragm Valve Type AI (Pneumatic Actuated Type AI) 15mm-50mm(1/2inch-2inch)

Body Material

PVC
C-PVC
PP
PVDF

Diaphragm Material

PTFE
EPDM
FKM
Viflon C (FKM-C)
Viflon F (FKM-F)

Connection Standard

JIS 10K
ANSI CLASS150
DIN PN10

Action

Double Acting
Air to Open
Air to Close

Equipment

Indicator

Option

- Filter Regulator
- Solenoid Valve
- Limit Switch
- Speed Controller
- Positioner



FEATURES

- **Excellent Durability**
More than 500,000 times Open and Close.
- **Compact Design**
Light Weight and Minimal Overall Height.
- **Excellent Corrosion Resistance**
All Wetted Parts are made of Corrosion Resistant Thermoplastics.

OPTIONAL EQUIPMENT

Combination No.	1	2	3	4	5	6	7	8	9
Solenoid Valve ※	○	—	—	○	○	—	○	—	—
Filter Regulator	—	—	—	○	—	—	○	—	○
Speed Controller	◎	○	—	◎	◎	○	◎	—	—
Limit Switch	—	—	○	—	○	○	○	—	—
Positioner (electric-air, ait-air)	—	—	—	—	—	—	—	○	○

◎Indicates specialized for Solenoid Valve.

※With built-in speed controller and bypass valve.

ACTUATOR SPECIFICATION [Double Acting]

Nominal Size mm(inch)	15(1/2inch)	20(3/4inch)	25(1inch)	32(1 1/4inch)	40(1 1/2inch)	50(2inch)
Operating Pressure Mpa[kgf/cm ²]	0.4{4.1} - 0.6{6.1}					
Air Consumption NI /open & close (at operating pressure 0.4NPa)	0.89	0.89	1.29	1.29	4.35	4.80
Air Supply Bore	Rc 1/4					

ACTUATOR SPECIFICATION [Air to Open]

Nominal Size mm(inch)	15(1/2inch)	20(3/4inch)	25(1inch)	32(1 1/4inch)	40(1 1/2inch)	50(2inch)
Operating Pressure Mpa[kgf/cm ²]	0.4{4.1} - 0.6{6.1}					
Air Consumption NI /open & close (at operating pressure 0.4NPa)	0.35	0.35	0.49	0.49	1.73	1.98
Air Supply Bore	Rc 1/4					

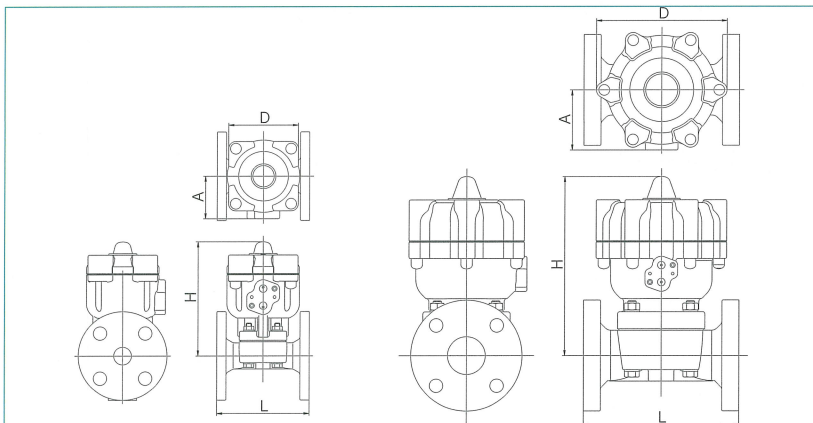
ACTUATOR SPECIFICATION [Air to Close]

Nominal Size mm(inch)	15(1/2inch)	20(3/4inch)	25(1inch)	32(1 1/4inch)	40(1 1/2inch)	50(2inch)
Operating Pressure Mpa[kgf/cm ²]	0.4{4.1} - 0.6{6.1}					
Air Consumption NI /open & close (at operating pressure 0.4NPa)	0.54	0.54	0.79	0.79	2.63	2.82
Air Supply Bore	Rc 1/4					

* for the actuator with lubricant free valves consult near Asahi dealer.



DIMENSIONS FIGURE



DIMENSIONS TABLE

JIS, ANSI, DIN		Unit:mm(JIS,DIN) inch(ANSI)						
Nominal Size		15(1/2)	20(3/4)	25(1)	32(1 1/4)	40(1 1/2)	50(2)	
D	JIS,DIN	91	91	100	100	184	184	
	ANSI	3.58	3.58	3.94	3.94	7.24	7.24	
A	JIS,DIN	55	55	60	60	85	85	
	ANSI	2.17	2.17	2.36	2.36	3.35	3.35	
H	JIS,DIN	145	153	161	165	238	254	
	ANSI	5.71	6.02	6.34	6.50	9.37	10.00	
L	JIS	110	120	130	142	180	210	
	DIN	130	150	160	180	200	230	
	ANSI	A Standard	4.33	4.72	5.12	—	7.09	8.27
		G Standard	4.25	5.88	5.88	6.38	6.94	7.94

WORKING PRESSURE VS. TEMPERATURE

