

● TRUE UNION BALL CHECK VALVE
15mm(1/2inch) – 50mm(2inch)



FEATURES

The valve body can be removed from the pipe line by loosening the union nuts at its both ends.

■ NSF Product

NSF("NSF/ANSI STANDARD 61" Drinking Water System Components-Health Effects)Product.

:TRUE UNION BALL CHECK VALVE (Material:PVC+EPDM,FKM)

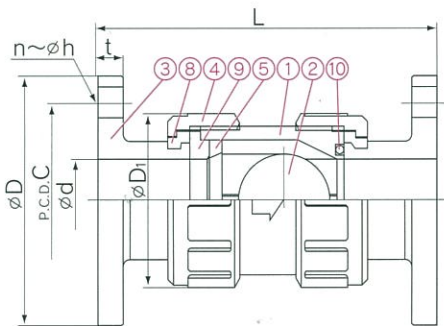
*Certified products bear an NSF Certification Mark.

SPECIFICATIONS

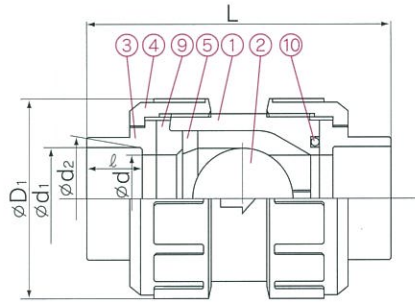
Body material	Unplasticized Polyvinyl Chloride(PVC), Chlorinated Polyvinyl Chloride(C-PVC) Polyvinylidene Fluoride(PVDF)
End Connectors	Socket End, Threaded End, Flanged End
Nominal Size	15mm(1/2inch) - 50mm(2inch)

DIMENSIONS

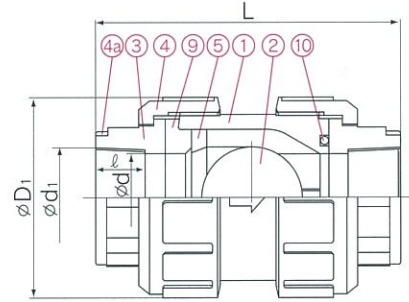
● FLANGED END



● SOCKET END



● THREADED END



PARTS & MATERIALS

No.	DESCRIPTION	Pcs.	MATERIAL
①	BODY	1	PVC, C-PVC, PP, PVDF
②	BALL	1	PVC, C-PVC, PP, PVDF
③	END CONNECTOR	2	PVC, C-PVC, PP, PVDF
④	UNION NUT	2	PVC, C-PVC, PP, PVDF
⑤	STOP RING(A)	1	PVC, C-PVC, PP, PVDF
⑧	STOP RING(B) 2)	2	PVDF
⑨	SEAT	1	EPDM, FKM, Others
⑩	O-RING	1	EPDM, FKM, Others
④a	RING 1)	2	STAINLESS STEEL304

Note :

1):used for C-PVC body. threaded end 15mm(1/2inch) - 25mm(1inch)

2):used for flanged end

DIMENSIONS TABLE

Nominal Size		d	D ₁	Flanged End							Socket End						Threaded End				
mm	inch			DIN PN10				L			PVC, C-PVC			PVDF, PP			DIN 2999		L		
				D	C	n	h	PVC C-PVC	PP PVDF	t	DIN 8063	L	DIN 16962	L	d ₁	ℓ	PVC C-PVC	PP PVDF			
15	1/2	15	48	95	65	4	14	130	128	12	20	16	84	19.50	19.30	14	79	Rp 1/2	15	86	83
20	3/4	20	60	105	75	4	14	155	154	14	25	19	100	24.50	24.30	16	93	Rp 3/4	17	103	98
25	1	25	70	115	85	4	14	165	163	14	32	22	113	31.50	31.30	18	103	Rp 1	20	113	109
40	1 1/2	40	96	150	110	4	18	192	190	16	50	31	158	49.45	49.20	23	141	Rp 1/2	25	151	147
50	2	51	106	165	125	4	18	214	211	16	63	38	190	62.50	62.10	27	167	Rp 2	28	177	171

Nominal Size		d	D ₁	Flanged End							Socket End(IPS)						Threaded End					
inch	mm			ANSI Class 150				L			PVC, C-PVC			PVDF, PP			ANSI/ASME B1.20.1		L			
				D	C	n	h	PVC C-PVC	PP PVDF	t ₁	ASTM SCH40	L	d ₁	d _{1'}	ℓ	L	d ₁	ℓ	PVC C-PVC	PP PVDF		
1/2	15	0.59	1.89	3.50	2.38	4	0.62	5.12	5.04	0.47	0.848	0.836	0.688	3.43	0.831	-	0.630	3.23	1/2- 14 NPT	0.59	3.39	3.27
3/4	20	0.79	2.36	3.88	2.75	4	0.62	6.10	6.06	0.55	1.058	1.046	0.719	3.86	1.041	-	1.000	4.37	3/4- 14 NPT	0.67	4.06	3.86
1	25	0.98	2.76	4.25	3.12	4	0.62	6.50	6.42	0.55	1.325	1.310	0.875	4.37	1.305	-	0.827	4.29	1- 11 1/2 NPT	0.79	4.45	4.29
1 1/2	40	1.57	3.78	5.00	3.88	4	0.62	7.56	7.48	0.63	1.912	1.894	1.094	5.94	1.889	-	1.260	6.22	1 1/2- 11 1/2 NPT	0.98	5.94	5.79
2	50	2.01	4.17	6.00	4.75	4	0.75	8.43	8.31	0.63	2.387	2.369	1.156	6.77	2.364	-	1.260	6.93	2- 11 1/2 NPT	1.10	6.97	6.73