

True Union Diaphragm Valve Type AI (Pneumatic Actuated Type AI) 15mm-50mm(1/2inch-2inch)

Body Material

PVC
C-PVC
PP
PVDF

Diaphragm Material

PTFE
EPDM
FKM
Viflon C (FKM-C)
Viflon F (FKM-F)

Connection Standard

Socket End JIS
Socket End ASTM SCH80
Socket End DIN
Threaded End Rc
Threaded End NPT
Threaded End Rp

Action

Double Acting
Air to Open
Air to Close

Equipment

Indicator

Option

- Filter Regulator
- Solenoid Valve
- Limit Switch
- Speed Controller
- Positioner



FEATURES

- **Excellent Durability**
More than 500,000 times Open and Close.
- **Compact Design**
Light Weight and Minimal Overall Height.
- **Excellent Corrosion Resistance**
All Wetted Parts are made of Corrosion Resistant Thermoplastics.

OPTIONAL EQUIPMENT

Combination No.	1	2	3	4	5	6	7	8	9
Solenoid Valve ※	○	—	—	○	○	—	○	—	—
Filter Regulator	—	—	—	○	—	—	○	—	○
Speed Controller	◎	○	—	◎	◎	○	◎	—	—
Limit Switch	—	—	○	—	○	○	○	—	—
Positioner (Electric-Air, Air-Air)	—	—	—	—	—	—	—	○	○

◎Indicates specialized for Solenoid Valve.
※With built-in speed controller and bypass valve.

ACTUATOR SPECIFICATION [Double Acting]

Nominal Size mm(inch)	15(1/2inch)	20(3/4inch)	25(1inch)	32(1 1/4inch)	40(1 1/2inch)	50(2inch)
Operating Pressure Mpa[kgf/cm ²]	0.4{4.1} - 0.6{6.1}					
Air Consumption NI /Open & Close (at operating pressure 0.4NPa)	0.89	0.89	1.29	1.29	4.35	4.80
Air Supply Bore	Rc 1/4					

ACTUATOR SPECIFICATION [Air to Open]

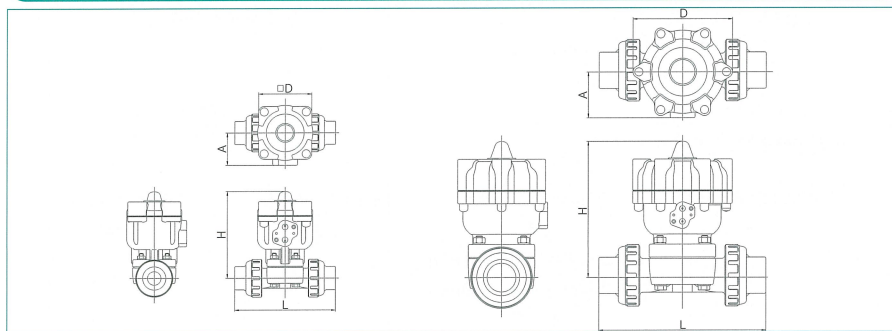
Nominal Size mm(inch)	15(1/2inch)	20(3/4inch)	25(1inch)	32(1 1/4inch)	40(1 1/2inch)	50(2inch)
Operating Pressure Mpa[kgf/cm ²]	0.4{4.1} - 0.6{6.1}					
Air Consumption NI /Open & Close (at operating pressure 0.4NPa)	0.35	0.35	0.49	0.49	1.73	1.98
Air Supply Bore	Rc 1/4					

ACTUATOR SPECIFICATION [Air to Close]

Nominal Size mm(inch)	15(1/2inch)	20(3/4inch)	25(1inch)	32(1 1/4inch)	40(1 1/2inch)	50(2inch)
Operating Pressure Mpa[kgf/cm ²]	0.4{4.1} - 0.6{6.1}					
Air Consumption NI /Open & Close (at operating pressure 0.4NPa)	0.54	0.54	0.79	0.79	2.63	2.82
Air Supply Bore	Rc 1/4					

* for the actuator with lubricant free valves consult near Asahi dealer.

DIMENSIONS FIGURE



DIMENSIONS TABLE

JIS, ANSI, DIN							Unit:mm(JIS,DIN) inch(ANSI)											
Nominal Size		15(1/2)	20(3/4)	25(1)	32(1 1/4)	40(1 1/2)	50(2)	Nominal Size		15(1/2)	20(3/4)	25(1)	32(1 1/4)	40(1 1/2)	50(2)			
D	Common	JIS, DIN	91	91	100	100	184	184	Threaded End	PP, PVDF	DIN	128	148	172	188	245	278	
		ANSI	3.58	3.58	3.94	3.94	7.24	7.24			ANSI	5.04	5.83	6.77	7.40	9.65	10.95	
A	Common	JIS, DIN	55	55	60	60	85	85	Socket End	PVC, C-PVC	JIS	134	156	186	200	271	303	
		ANSI	2.17	2.17	2.36	2.36	3.35	3.35			DIN	128	147	172	188	246	294	
H	Common	JIS, DIN	145	153	161	165	238	254	Socket End	PP	JIS	134	154	182	-	253	275	
		ANSI	5.71	6.02	6.34	6.50	9.37	10.00			DIN	125	141	164	177	231	274	
L	Threaded End	PVC, C-PVC	JIS	128	148	172	188	245	281	Spigot End	PVC	DIN	150	172	195	212	276	308
			ANSI	5.04	5.83	6.77	7.40	9.65	11.06			ANSI	5.43	6.09	7.24	7.80	10.28	11.54
	PP, PVDF	JIS	128	148	172	188	245	278	Spigot End	PP, PVDF	DIN	125	141	164	177	231	274	
		ANSI	5.04	5.83	6.77	7.40	9.65	10.95			ANSI	5.43	6.09	7.24	7.80	10.28	11.54	

WORKING PRESSURE VS. TEMPERATURE

